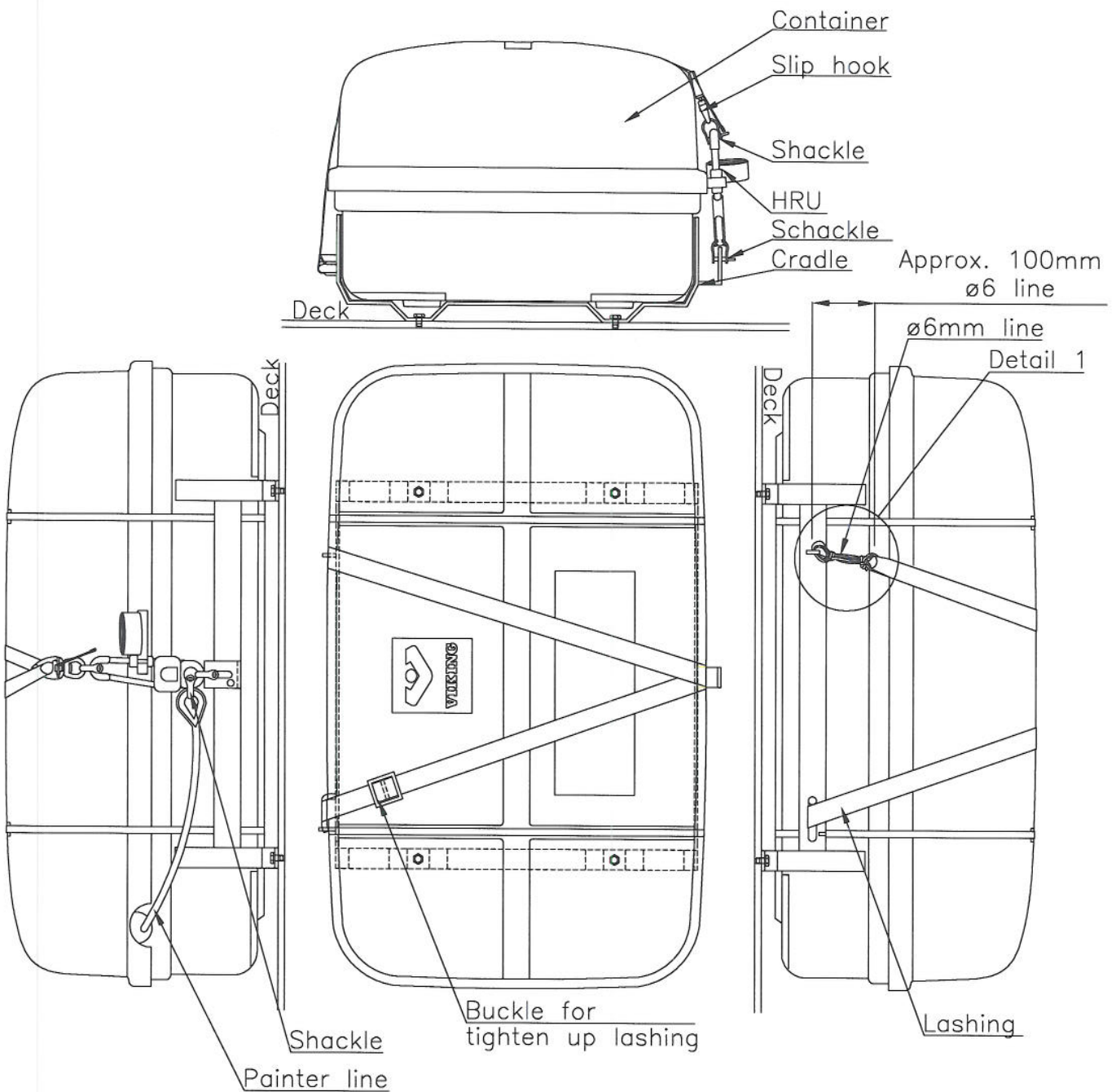




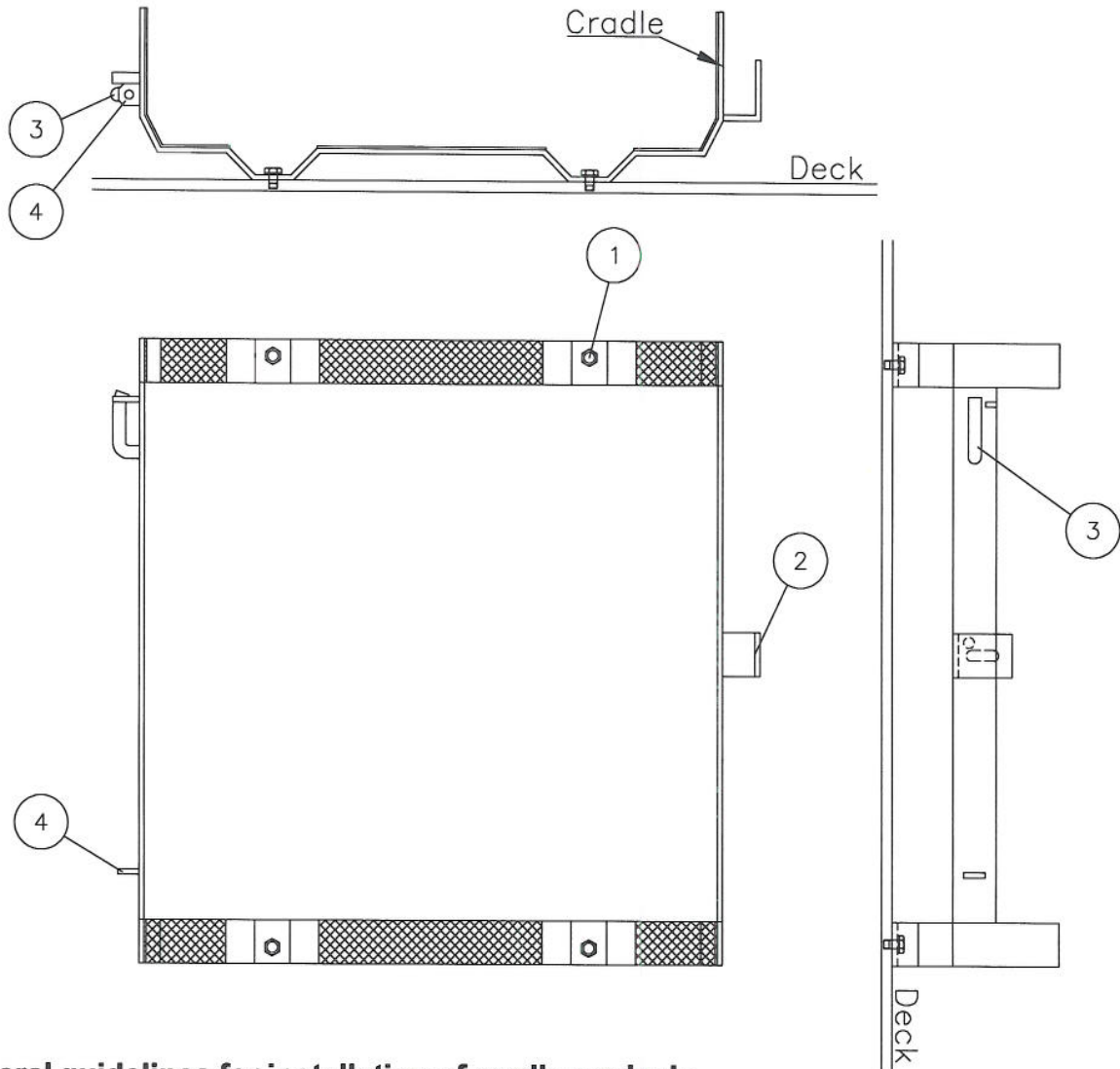
V-MI-0172

Mounting instructions for 6 DK A+B, 8 DK B, 10 DK B, liferaft in square container installed on deck:

Mounting instructions for container in cradle with Hammar hydrostatic release unit (HRU):



Mounting instructions for cradle installed on deck:



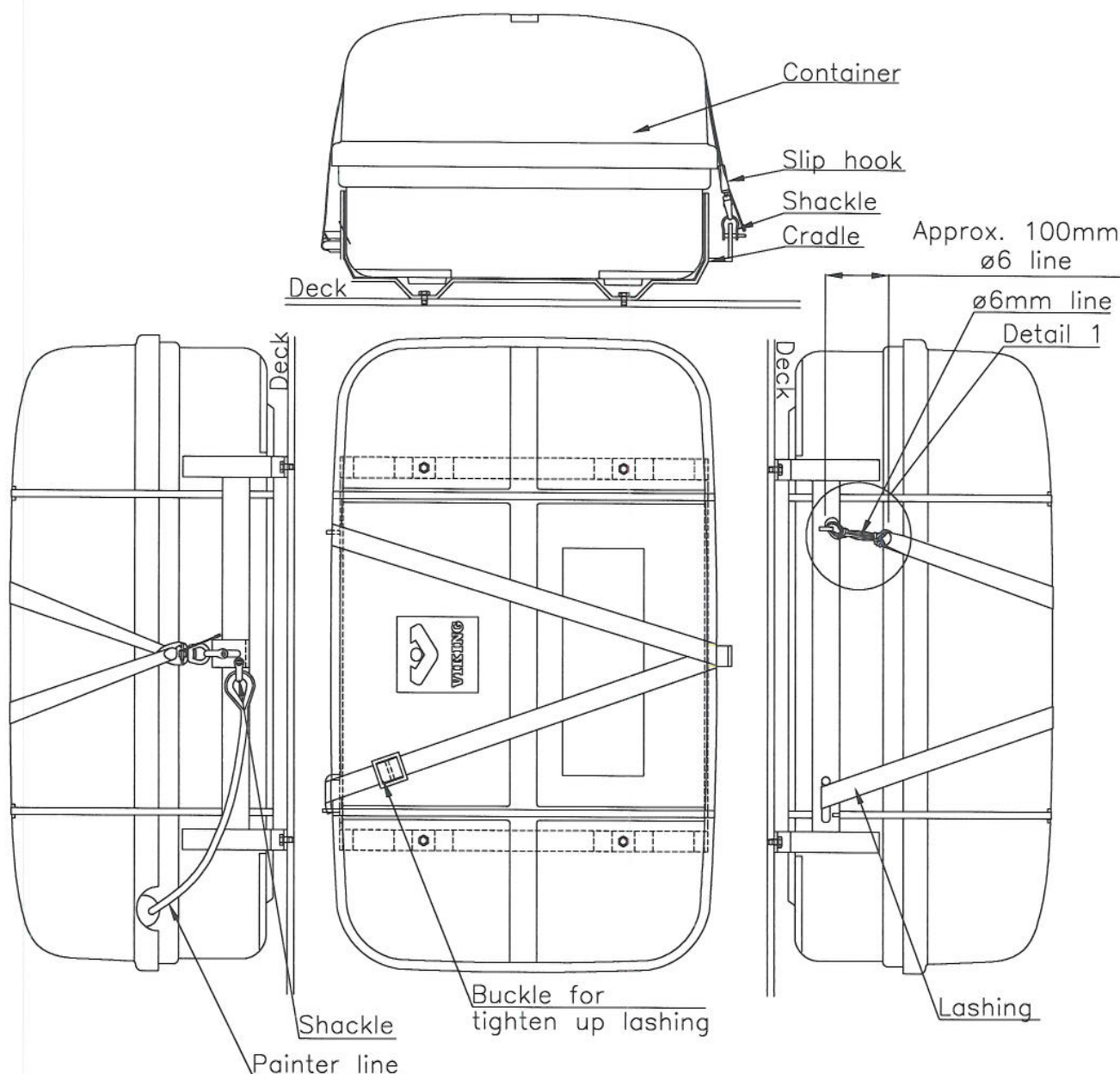
General guidelines for installation of cradle on deck:

- Position no. 1: Delivered by customer
M8 Bolts
Ø8 Washers
- Position no. 2: Fitting with $\varnothing 10$ hole for Shackle only used for mounting of the painter line without HRU.
Oval hole used for Schackle.
- Position no. 3: Fitting for 30mm lashing
- Position no. 4: Fitting for $\varnothing 6$ mm line.

Mounting instructions for container in cradle with Hammar hydrostatic release unit (HRU):

- 1.1 Bolt cradle on deck. see page 2
- 1.2 Mount container in cradle. see page 1
- 1.3 $\varnothing 6$ mm line: Fasten line by means of bow knots and lead the line through both loops approx. 5-6 times and finish off with 2 times clove hitches. (see detail 1 page 4)

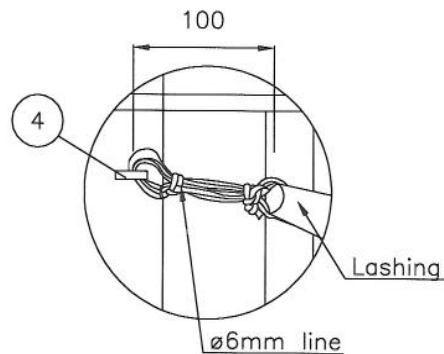
Mounting instructions for container in cradle without HRU:



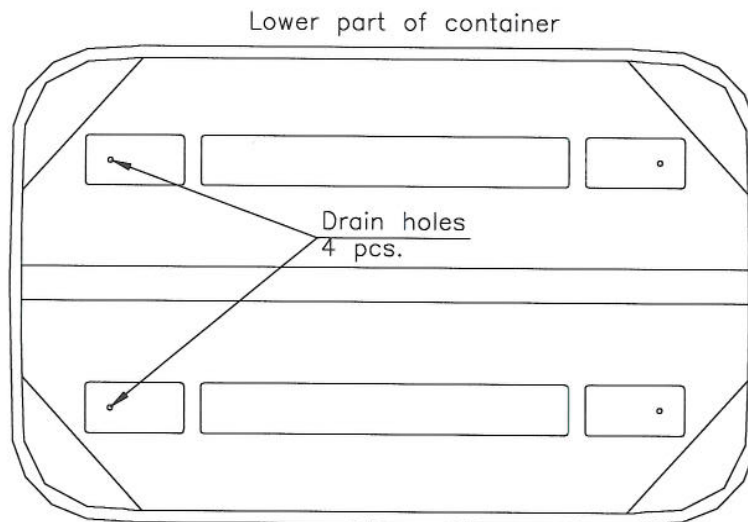
Mounting instructions for container in cradle without Hammar hydrostatic release unit (HRU):

- 1.1 Bolt cradle on deck. see page 2
- 1.2 Mount container in cradle. see page 3
- 1.3 $\varnothing 6\text{mm}$ line: Fasten line by means of bow knots and lead the line through both loops approx. 5-6 times and finish off with 2 times clove hitches. $\varnothing 6\text{mm}$ line: (See detail 1 page 4).

Detail 1:



Drain plugs:



Important! Remove the 4 plastic plugs from drain holes on container side pointing towards deck to create drains in container. The drain holes enable condensed water to run out of the container. Remove above mentioned plastic plugs by means of a knife.



Drain plugs

