

1

2

3

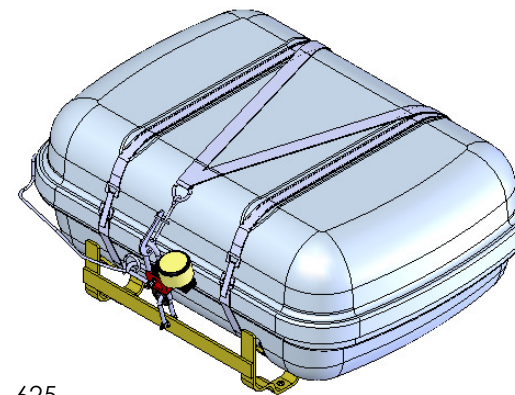
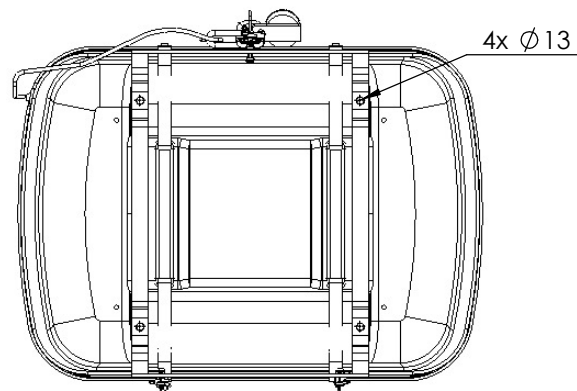
4

5

6

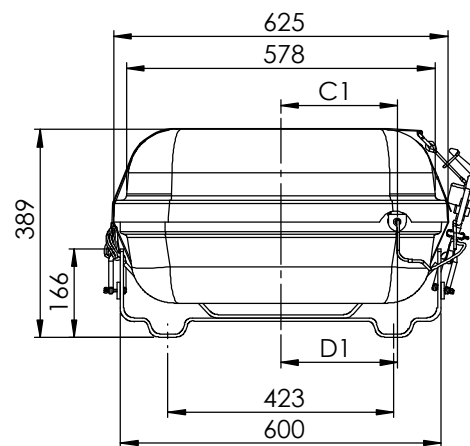
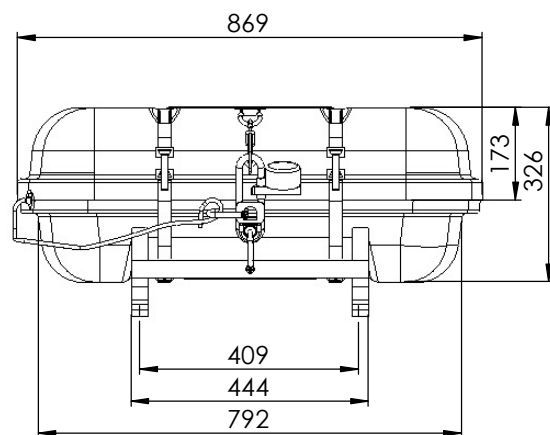
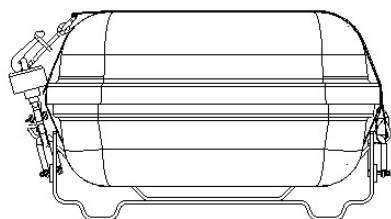
A

A



B

B

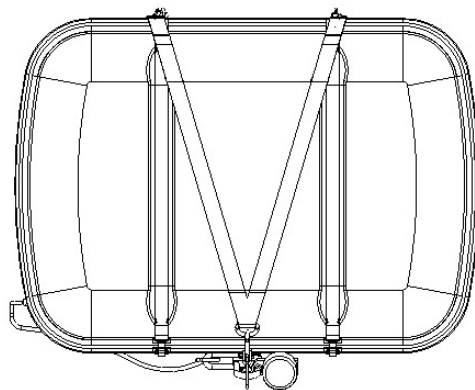


C

C

D

D



1	Stain. Steel Cradle for 9040	1025369	16000540	AISI316	1026947
1	Aluminium Cradle for 9040	1025380	16000541	AlMgSiO ₅	1026947
Item	Description	Part No	Drawing No	Material	Lashing Arrangement

If the product is requested to be manufactured differently, this MUST be approved by VIKING LIFE-SAVING EQUIPMENT A/S and a specification of change must be filled in if the alteration is approved. Unless otherwise specified the product must always be clearly labelled with Viking part no., manufacturer ID and manufacturing year.

MATERIAL NO.:	Old DWG No.:	STATUS:	UNITS:	WEIGHT:	CHECK DATE/INIT:
-	-	FR	mm/kg	27192.262	20100527/LHM
BASIC MATERIAL:	SURFACE TREATMENT:	SHEET SIZE:	SCALE:	SHEET NO.:	DRAWN DATE/INIT:
		A3	1:8	1/1	2010052706.08.08

	VIKING LIFE-SAVING EQUIPMENT A/S Sædding Ringvej 13, DK-6710 Esbjerg V Tel.: +45 7611 8100 Fax.: +45 7611 8101 E-mail: viking@viking-life.dk Web: www.VIKING-life.com	PROJEKTION TYPE FIRST ANGLE PROJECTION GENERAL TOLERANCE : -	DESCRIPTION : Container 016-9040 Sales Specification Low Profile Type #100 4 DK "A" + "B" / 6 IBA
	Copyright of VIKING LIFE-SAVING EQUIPMENT DENMARK whose property this document remains. No part thereof may be disclosed, copied, duplicated or in any other way made use of except with the approval of VIKING LIFE-SAVING EQUIPMENT DENMARK.	CAD NO. : 14000359	Drawing NO. : 16000543

Slots measure from Center of container follows WI.

Location	C1	D1
Dimension (mm)	215±5	215±5

1

2

3

4

5

6

E

E